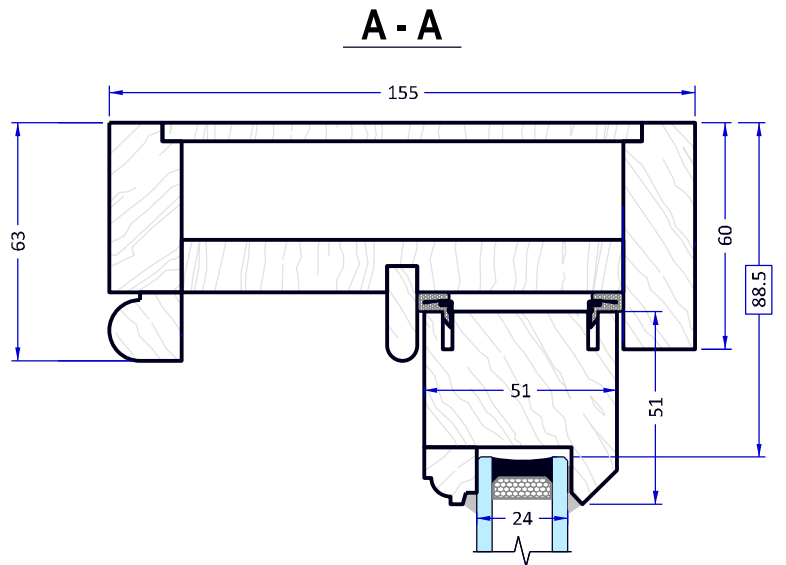
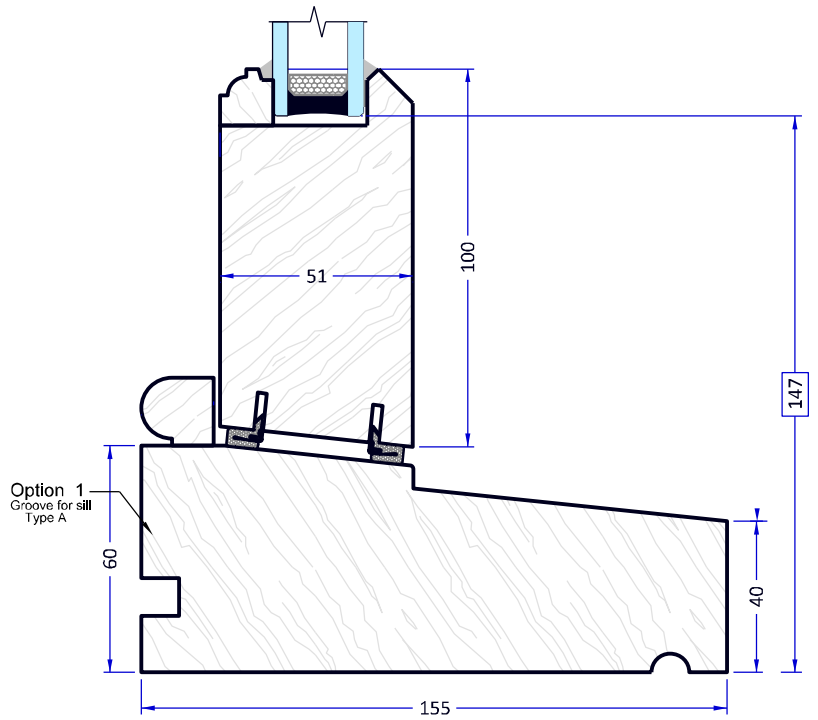
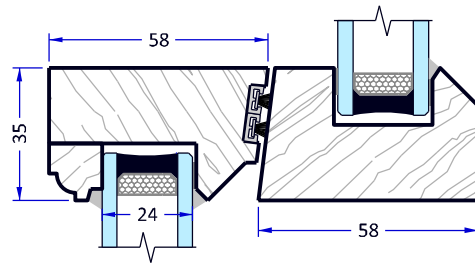


View from outside



Meeting rail 35 (possible 40;45)



Scale		Date			Page	Pages
1 : 2	DWORKS	2020 05-06	rew. 2	155 mm. Sash Window with spiral balances. Sill 60 mm.		