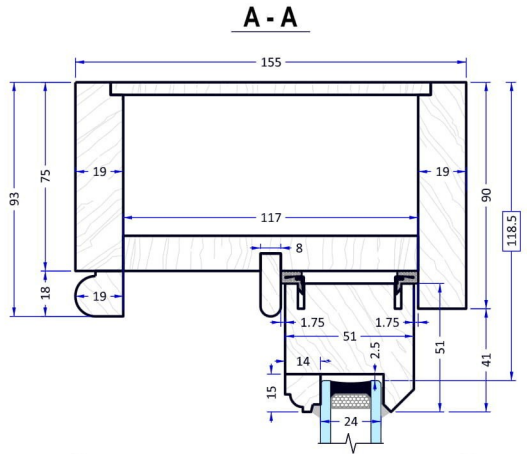
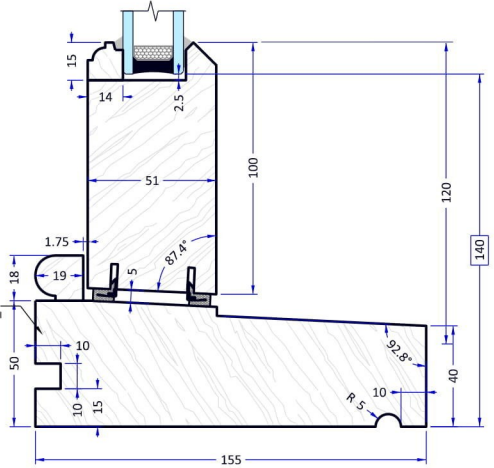
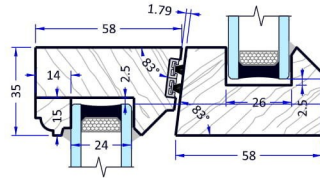


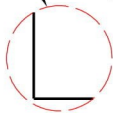
View from outside



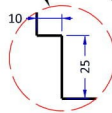
Meeting rail 35 (possible 40;45)



Option 3
No groove



Option 2
Groove for sill
Type B



Option 1
Groove for sill
Type A

Scale		Date		155 mm. Sash Window Cords & weights Sill 50 mm.	Page	Pages
1 : 2	-	2017 02-16	rew. 2			